
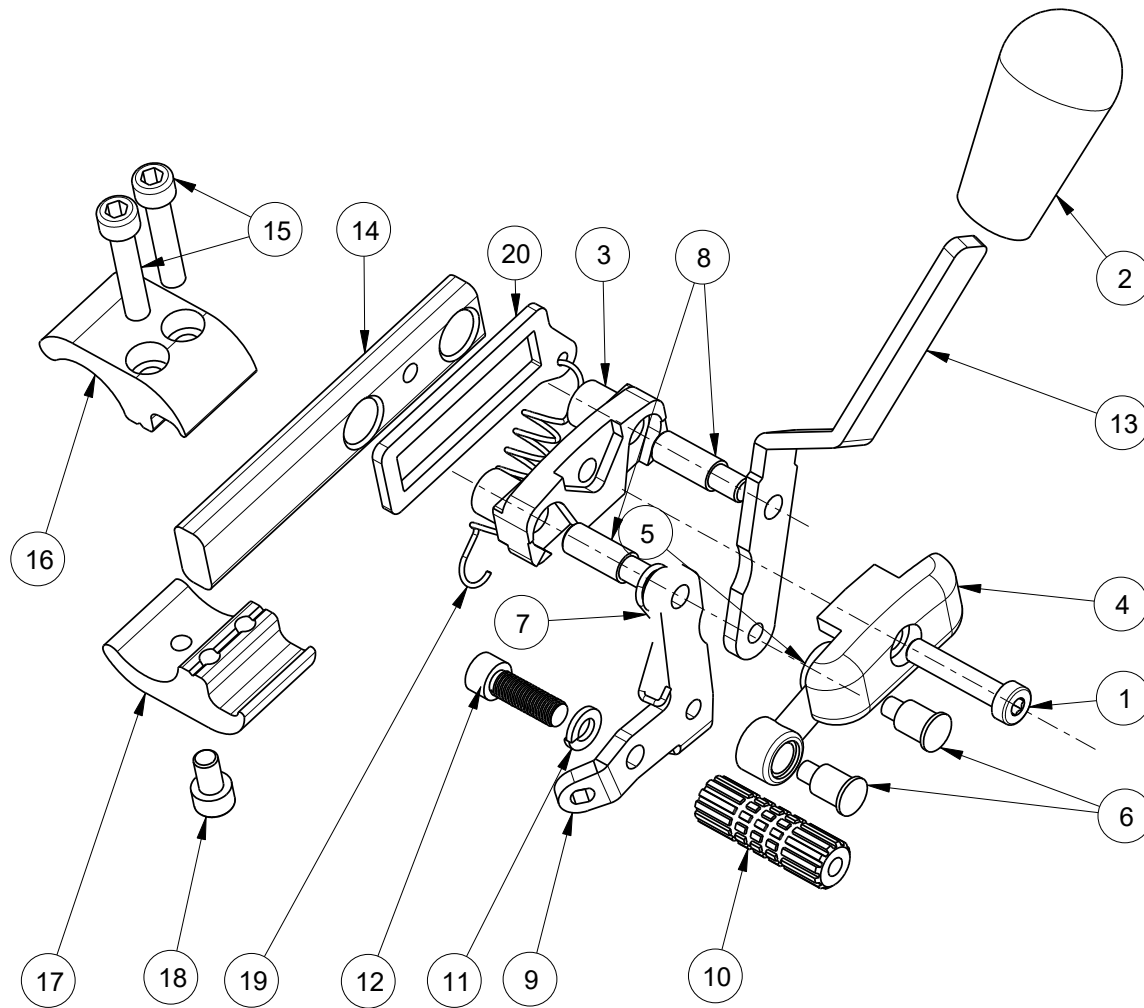


Material			
No.	Plan	Article	Number
1	DIN6912 M6X30	3991967	1
2	X002134	1992411	1
3	X002139	1992426	1
4	X002140	1992427	1
5	X002141	1992435	1
6	X002165	1488300	2
7	X005035	1910032	1
8	X005276	1793900	2
9	YC01788	1C61454	1
10	X005277	17938	1
11	---	1004414	1
12	---	1001492	1
13	Y016713	1735454	1
14	X002155	1552582	1
15	M6X30 DIN912	1001495	2
16	X002115	1552682	1
17	X002116	1552782	1
18	M6X10 DIN912	1001491	1
19	---	3990133	1
20	YC01489	1C47754	1

3992417

EC00396/A.0


LEFT BRAKE BOBBY 24" B75				Plan No.
Scale:1:2	Drafted	Verified	Confirmed	
Date	19/09/2016	19/09/2016	19/09/2016	
Init.	SL	Mars	TG	



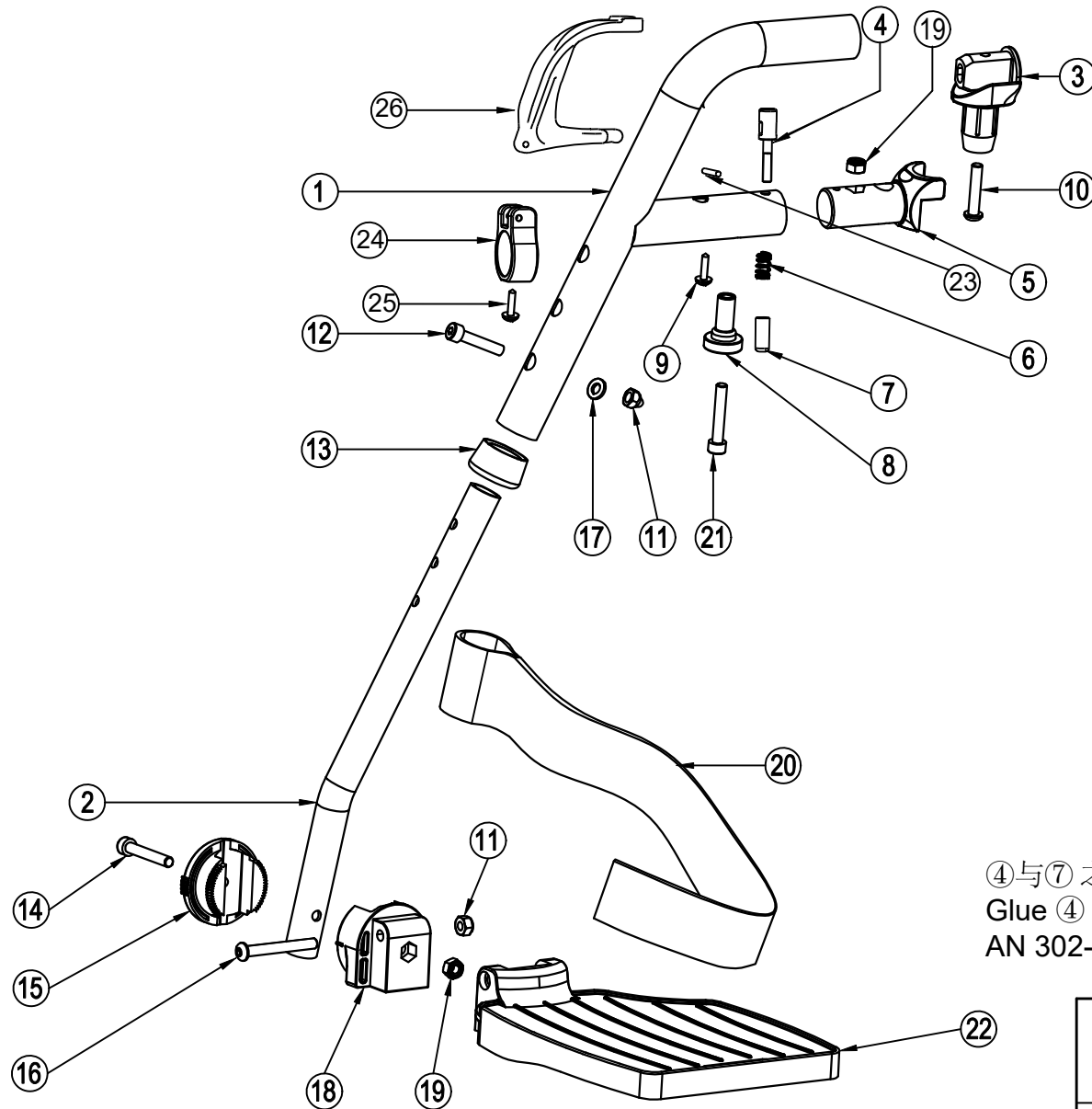
Material			
No.	Plan	Article	Number
1	DIN6912 M6X30	3991967	1
2	X002134	1992411	1
3	X002139	1992426	1
4	X002140	1992427	1
5	X002141	1992435	1
6	X002165	1488300	2
7	X005035	1910032	1
8	X005276	1793900	2
9	YC01787	1C61354	1
10	X005277	17938	1
11	---	1004414	1
12	---	1001492	1
13	Y016715	1735554	1
14	X002155	1552582	1
15	DIN912 M6X30	1001495	2
16	X002155	1552682	1
17	X002116	1552782	1
18	DIN912 M6X10	1001491	1
19	---	3990133	1
20	YC01489	1C47754	1

3992418

EC00397/A.0

RIGHT BRAKE BOBBY 24" B75				Plan No.
Scale:1:2	Drafted	Verified	Confirmed	
Date	19/09/2016	19/09/2016	19/09/2016	
Init.	SL	Mars	TG	


23	---	1905640	2	Material			
24	XC00300	3991091	2	NO.	Plan	Article	Number
25	---	1992805	2	1	YC01267	1C407	2
26	X004418	1904207	2	2	YC01291	FC00808	2

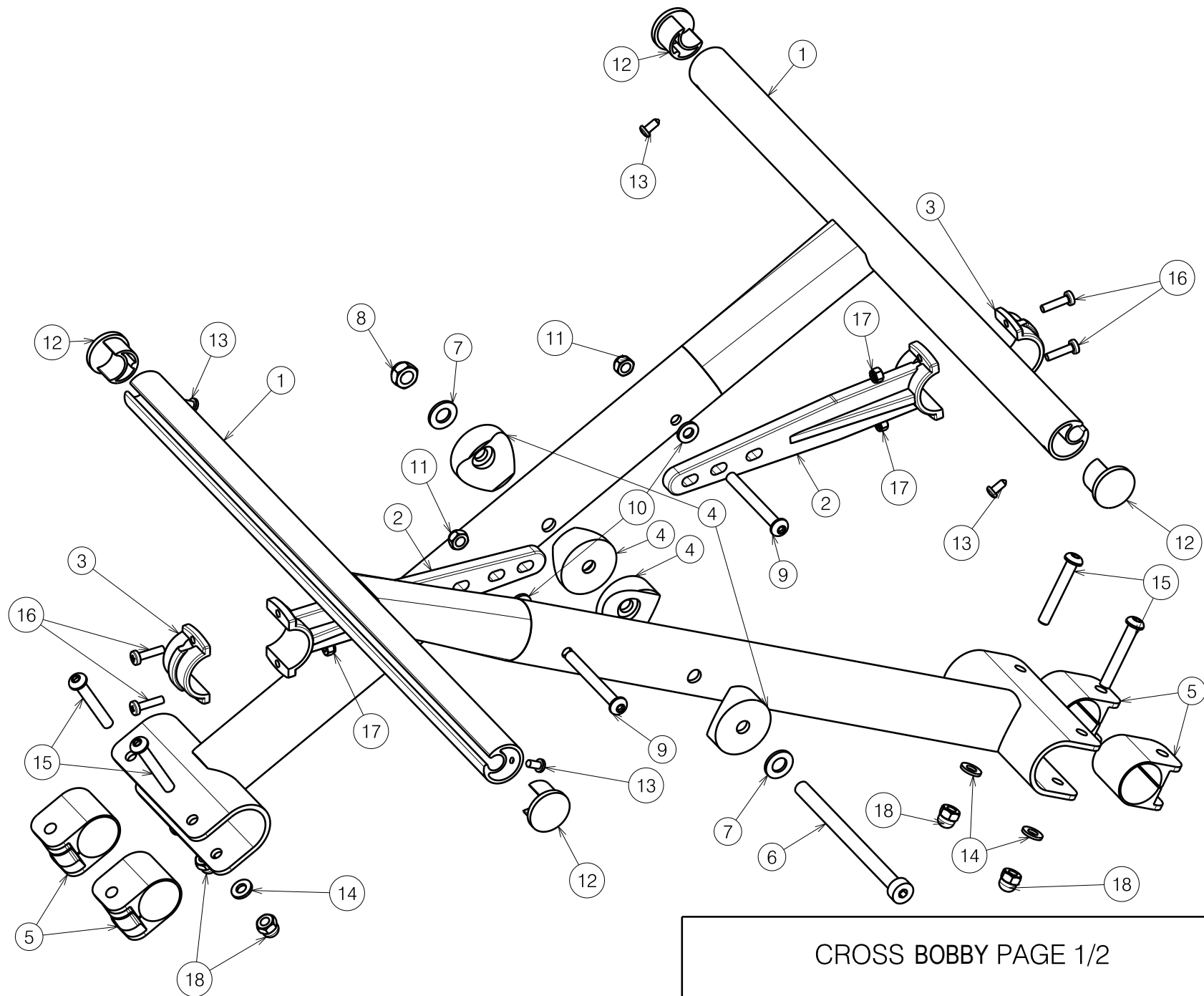


④与⑦之间加螺纹胶。
Glue ④ into ⑦ with weicon
AN 302-43(H900009)

3	X004414	1904130	2
4	XC00305	3991094	2
5	XC00381	3991544	2
6	XC00142	3990576	2
7	XC00304	3991093	2
8	X004660	1905195	2
9	---	H016007	2
10	---	1009588	2
11	---	1008492	4
12	---	1992721	2
13	X002137	1992415	2
14	---	1003909	2
15	X004464	1904212	2
16	---	1006997	2
17	---	1001564	2
18	X004465	1904213	2
19	---	1001680	4
20	---	1905642	2
21	---	1001496	2
22	XC00158 (38)	3991003(L)	1
	XC00157 (38)	3991002(R)	1
	X004570 (39-43)	1904646(L)	1
	X004571 (39-43)	1904647(R)	1
	X004453 (44-46)	1904210(L)	1
	X004457 (44-46)	1904475(R)	1
	X004572 (48-52)	1904648(L)	1
	X004573 (48-52)	1904649(R)	1

EC00219/C

FOOTREST FOR D200P				Plan No. / Plannr.
				EC00219/C
Scale / Schaal: 1 : 4	Drafted / Getekend	Verified / Nagezien	Confirmed / Bevestigd	
Date / Datum	20/02/2014	20/02/2014	20/02/2014	
Init. / Init.	Mars	JJQ	TG	



CROSS BOBBY PAGE 1/2


Plan No. / Plannr.

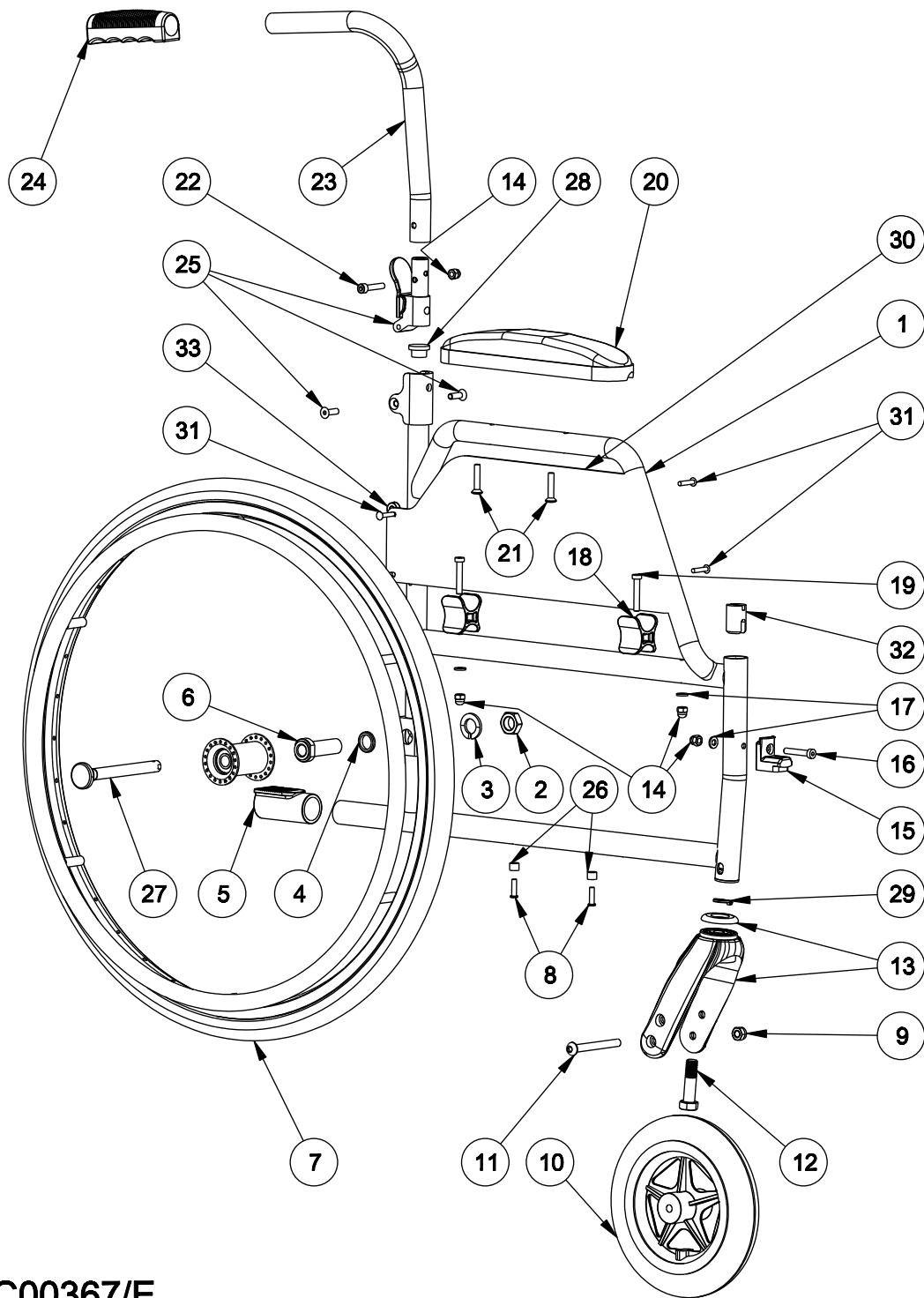
EC00259/A

Scale / Schaal: 1:4	Drafted / Getekend	Verified / Nagezien	Confirmed / Bevestigd
Date / Datum	12/02/2015	12/02/2015	12/02/2015
Init. / Init.	Mars	JJQ	TG



No. / Nr.	Plan	Article / Artikel	Number / Aantal
1	YC01495 (42)	1C47954	2
	YC01496 (48)	1C48054	2
2	X002621 (42)	1994193	2
	X002620 (48)	1994192	2
3	X002623	1994195	2
4	X002133	1992424	4
5	X003692	1998763	4
6	---	1991711	1
7	X001119	1001554	2
8	X001016	1001682	1
9	---	1997879	2
10	---	1000973	2
11	---	1001680	2
12	X002136	1992414	4
13	---	1001530	4
14	---	1001564	4
15	---	1006111	4
16	---	2990185	4
17	---	1001678	4
18	---	1008492	4


CROSS BOBBY PAGE 2/2				Plan No. / Plannr.
				EC00259/A
Scale / Schaal: 1:4	Drafted / Getekend	Verified / Nagezien	Confirmed / Bevestigd	
Date / Datum	12/02/2015	12/02/2015	12/02/2015	
Init. / Init.	Mars	JJQ	TG	



EC00367/E

Material				Material			
NO.	Plan	Article	Number	NO.	Plan	Article	Number
25	---	3991658	2	1	YC01946	1C698(L)	1
26	X003698	1004550	4		YC01945	1C697(R)	1
27	---	3990106	2	2	---	1992699	2
28	---	3990684	2	3	---	1911653	2
29	---	1001572	2	4	X001380	1009726	2
30	XC00657	3992481	1	5	X004469	1905045	2
	XC00658	3992482	1	6		3990141	2
31	---	3993346	8	7	---	1914602	2
32	X004818	1906184	2	8	---	1001589	4
33	---	1907519	4	9	---	1998994	2

10	---	1914607	2
11	---	1998993	2
12	---	1990507	2
13	---	1991447	2
14	---	1008492	8
15	X004415	17193	2
16	---	1903903	2
17	---	1001564	6
18	X004309	1904133	4
19	---	1006850	4
20	---	3991370	2
21	---	1007954	4
22	---	1001495	2
23	YC01239	1C463(L)	1
	YC01240	1C464(R)	1
24	---	3990041	2


SIDEFRAME BOBBY 24"				Plan No.
				EC00367/E
Scale:3:20	Drafted	Verified	Confirmed	
Date	19/09/2016	06/08/2020	06/08/2020	
Init.	SL	AL	TG	

no.	description	art.no.
1.	WHEEL 150X30 PU DG (60) A3 32-86	1914611



EF00001/A

1914611

WHEEL 150X30 PU DG (60) A3 32-86				Plan No. / Plan nr.
				EF00001/A
	Drafted	Verified	Confirmed	
Date	22/06/2020	22/06/2020	22/06/2020	
Init.	LG	SD	SD	

no.	description	art.no.
1.	WHEEL 140X40 PU DG B3 40-60	1914613



EF00003/A

1914613

WHEEL 140X40 PU DG B3 40-60				Plan No. / Plan nr.
				EF00003/A
	Drafted	Verified	Confirmed	
Date	22/06/2020	22/06/2020	22/06/2020	
Init.	LG	SD	SD	

no.	description	art.no.
	WHEEL 24"B74 PU DG D12 D3 37-540	1914614



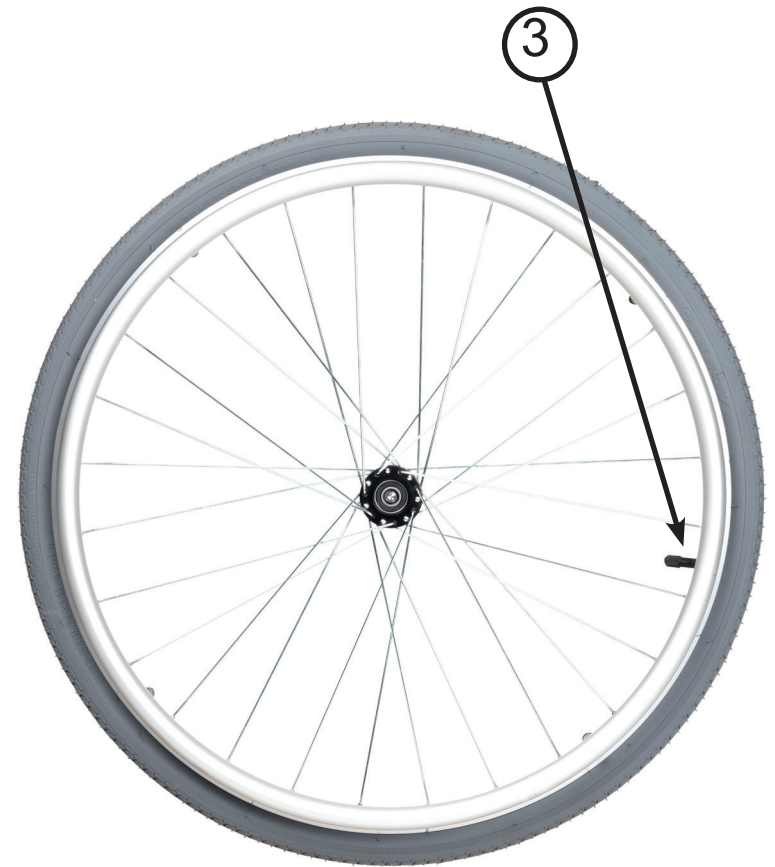
EF00007/A

1914614

WHEEL 24"B74 PU DG D12 D3 37-540			Plan No. / Plan nr.
			EF00007/A
	Drafted	Verified	Confirmed
Date	22/06/2020	22/06/2020	22/06/2020
Init.	LG	SD	SD




no.	description	art.no.
	WHEEL 24" AIR DG D12 37-540	1915823
1	RIM 24"X1 3/8, 28H, 4SLOTST	3990339
2	TIRE 24"X1"3/8 DG D12 37-540	3993163
3	INNER TUBE 24"X1"3/8 MOTO VALVE	1001296



EF00009/A

1915823


WHEEL 24" AIR DG D12 37-540				Plan No. / Plan nr.
				EF00009/A
	Drafted	Verified	Confirmed	
Date	06/07/2020	06/07/2020	06/07/2020	
Init.	LG	SD	SD	

no.	description	art.no.
1.	WHEEL 12"B74L PU DG E3 62-203	1914619



EF00014/A

1914619


WHEEL 12"B74L PU DG E3 62-203				Plan No. / Plan nr.
				EF00014/A
	Drafted	Verified	Confirmed	
Date	11/08/2020	11/08/2020	11/08/2020	
Init.	LG	SD	SD	

no.	description	art.no.
1.	WHEEL 12"B74R PU DG E3 62-203	1914620



EF00015/A

1914620

WHEEL 12"B74R PU DG E3 62-203				Plan No. / Plan nr.
				EF00015/A
	Drafted	Verified	Confirmed	
Date	11/08/2020	11/08/2020	11/08/2020	
Init.	LG	SD	SD	

no.	description	art.no.
1	WHEEL 24" PU DG D12 D3 37-540	1914602



EF00113/A

1914602

WHEEL 24" PU DG D12 D3 37-540				Plan No.
				EF00113/A
	Drafted	Verified	Confirmed	
Date	25/08/2020	25/08/2020	25/08/2020	
Init.	LG	SD	SD	